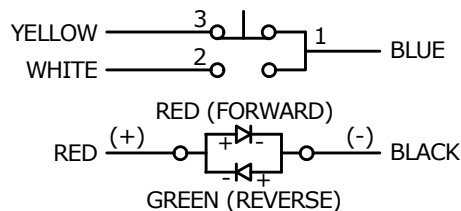
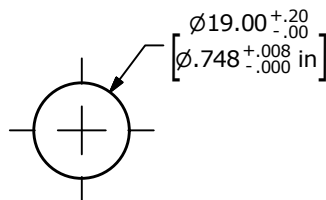


SWITCH	WIRE	LENGTH
SW1-1	WIRE, 24AWG AWM UL1015, BLUE	300.0 [11.8 in]
SW1-2	WIRE, 24AWG AWM UL1015, WHITE	300.0 [11.8 in]
SW1-3	WIRE, 24AWG AWM UL1015, YELLOW	300.0 [11.8 in]
SW1- (+)	WIRE, 24AWG AWM UL1015, RED	300.0 [11.8 in]
SW1- (-)	WIRE, 24AWG AWM UL1015, BLACK	300.0 [11.8 in]



**SCHEMATIC**

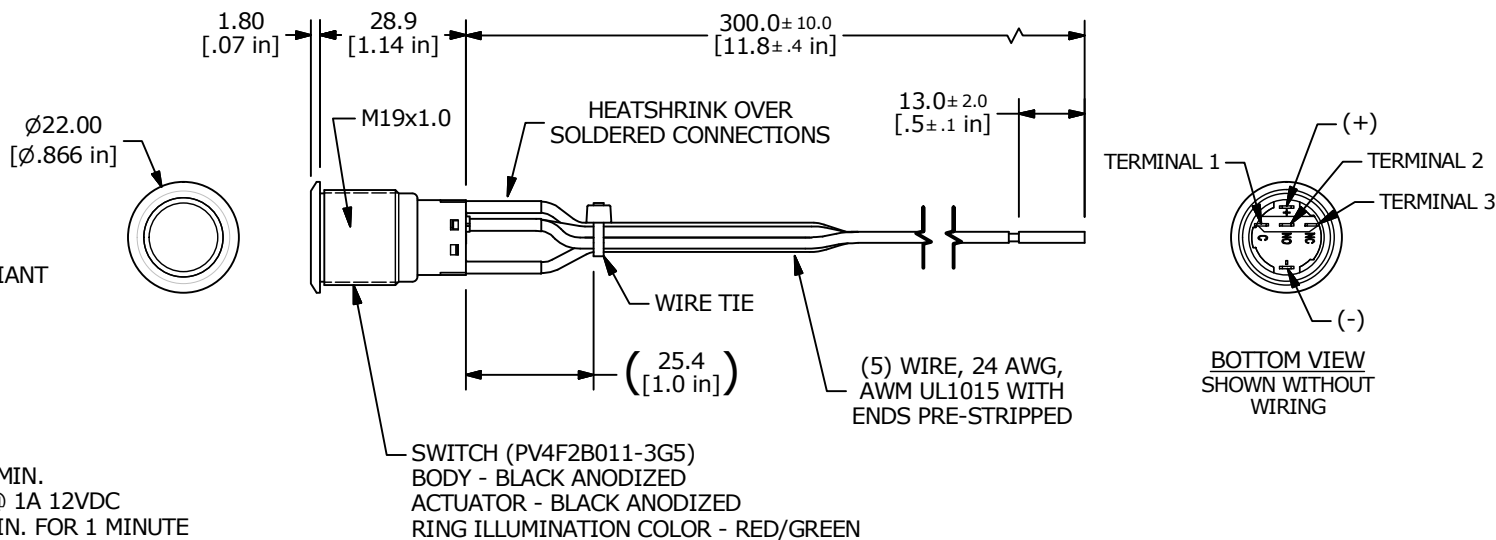
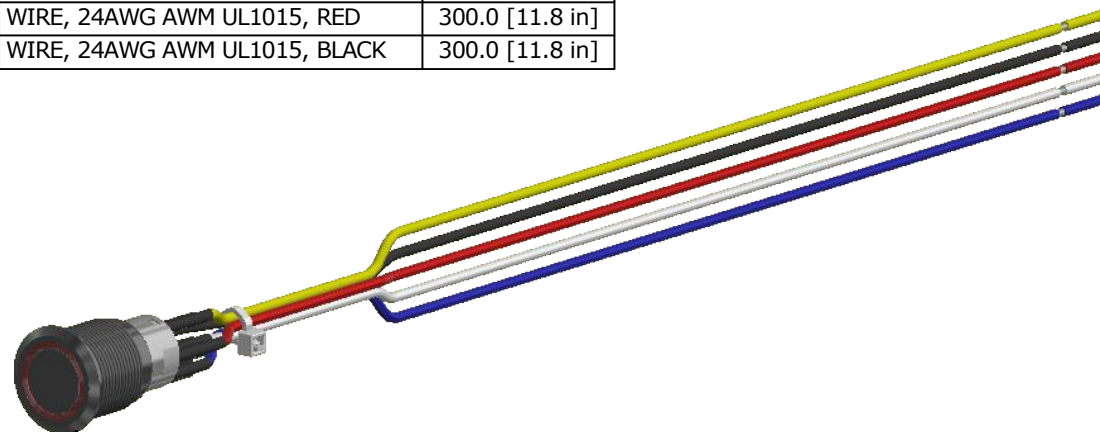
ON - (ON) - DPDT ILLUMINATED  
 ( ) DENOTES MOMENTARY FUNCTION



**RECOMMENDED PANEL CUTOUT**  
 MAX. PANEL THICKNESS 11mm [.43 in]

**NOTES:**

1. DIMENSIONS IN MM [INCH]
2. ALL MATERIAL SHALL BE ROHS COMPLIANT
3. TERMINAL NUMBERS FOR REF. ONLY
- ▲ 4. CONTACT MATERIAL: SILVER
5. RATING: 2A 24VDC
- ▲ 6. LAMP VOLTAGE: 24V
7. INGRESS PROTECTION: IP65
8. TRAVEL: 2.8mm
9. OPERATING TEMP.: -20°C to 55°C
10. INSULATION RESISTANCE: 1,000 MΩ MIN.
11. CONTACT RESISTANCE: 50mΩ MAX. @ 1A 12VDC
12. DIELECTRIC STRENGTH: 2,000 VAC MIN. FOR 1 MINUTE
13. ELECTRIC LIFE: 50,000 MAKE-AND-BREAK CYCLES AT FULL LOAD
14. ▲ DENOTES CRITICAL PARAMETER.
- ▲ 15. SUPPLIED HARDWARE: O-RING AND HEXNUT
16. USE PART NUMBERS DESIGNATED OR ENGINEERING APPROVED EQUIVALENTS.



A	24110	RELEASE	11/26/19	MW
REV	PCR NO	DESCRIPTION	DATE	BY

TITLE	PV4FWB011-3G5			
SCALE	2:3	DATE	11/26/2019	DR
			MW	DWG
				52-PV4FWB0113G5
				REV
				A

THE INFORMATION CONTAINED IN THIS DOCUMENT IS PROPRIETARY TO E-SWITCH AND IS NOT TO BE COPIED OR TRANSFERRED